



Box contains:
Thermostat
Temperature Sensor
Fixing screws x 2
Instructions

IMPORTANT NOTICE:

ENSURE THE MAINS SUPPLY IS ISOLATED PRIOR TO INSTALLATION/MAINTENANCE/TESTING
ALL VITREX FLOORWARM UNDERFLOOR HEATING MATS MUST BE EARTHED
A DEDICATED 30mA (RCD) MUST BE USED WITH THIS HEATING SYSTEM
ELECTRICAL WORK WHICH IS SUBJECT TO PART P BUILDING REGULATIONS MUST BE CARRIED OUT BY A QUALIFIED ELECTRICAL CONTRACTOR
ALL WORK MUST CONFORM TO BS 7671:2008 AND THE LATEST IEE WIRING REGULATIONS (CURRENTLY 17th EDITION). CONSULT AN ELECTRICIAN PRIOR TO INSTALLATION TO ENSURE THE ROOM IS SUITABLE FOR UNDERFLOOR HEATING SYSTEMS

Fitting Your Thermostat

The thermostat should be fitted in a position where it is away from both direct sunlight and drafts.
The thermostat should be fitted in a single gang mounting box which has a minimum depth of 32mm.
The thermostat must be fitted in accordance with the instructions in this manual by a fully qualified electrician.

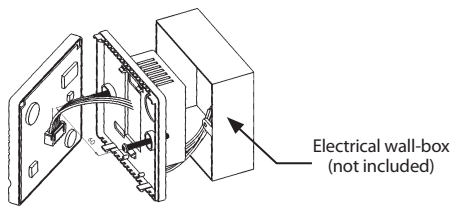
Approved in accordance with:

EN55022:2008 EN60730-1:2000+A1:2004+A12:2003+A132004+A14:2005+A15:2007

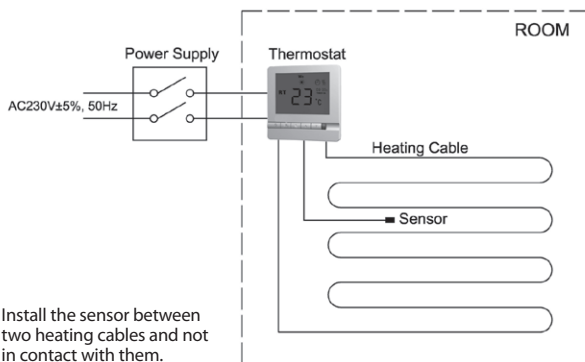
SPECIFICATIONS

- Sensing element : NTC
- Display: LCD
- Power consumption: <2W
- Set-point range: Room: 5°C to 35°C
Floor Protection: 20°C to 90°C
- Accuracy: ± 1°C
- Push Button: Touch pad
- Switch current rating: < 16 A (resistive load)
< 6 A (inductive load)
- Power supply: AC230V ± 5%, 50Hz
- Max Load: 3500W
- Dimensions: 86 × 86 × 13 mm (W × H × D)
- Housing: ABS + PC Flame Retardant
- Operating rating: 0~40°C, 5~95%RH (non-condensing)
- Control performance: On/Off control, 2°C differential
- IP Grade: IP20

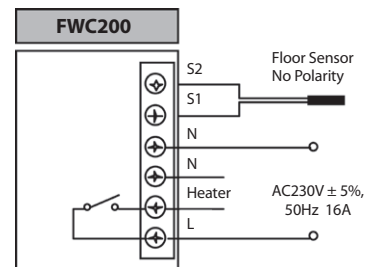
MOUNTING



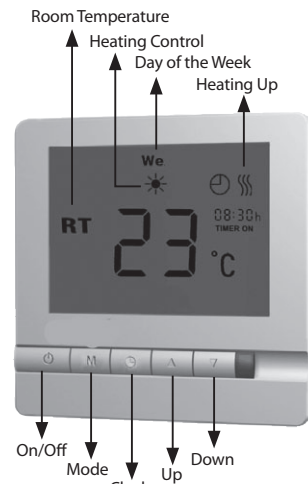
SENSOR LAYOUT



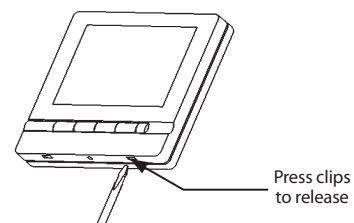
WIRING DIAGRAM



BUTTON DESCRIPTIONS



FRONT PANEL RELEASING



DISPOSAL OF OBSOLETE APPLIANCES



DO NOT dispose of this appliance in your general waste. Your local authority or retailer will be able to provide further guidance.



POWER ON/OFF

- To turn thermostat on or off press "⏻"

FROST PROTECTION MODE

To enable this operation.

- With thermostat turned off.
- Press "M" for 3 seconds and release. Press "▲" or "▼" to select 01 (00 = disabled)

After approx. 5 seconds the thermostat will turn off.

The heating will be activated if the room temperature is lower than 5°C; the heating will be turned off if the room temperature is higher than 7°C.

TEMPERATURE CALIBRATION

- With the thermostat turned off, Press "▲" and "▼" for 3 seconds. The display will show the measured temperature.
- Press "▲" or "▼" to adjust the temperature to the correct value.
- Press "⏻" to turn off. The calibration setting will be stored.

NORMAL OPERATING MODE

RT = When the thermostat is in the operating mode; RT is displayed and indicates the Room Temperature.

SET = Pressing the Up or Down key once will display SET and the current set-point temperature. You are able to increase/decrease the set-point temperature (35°C maximum) using the Up/Down keys. This temperature change is only temporary and will only be maintained until the next programmed setting.

OVERRIDE / DAILY ON/OFF / 5+2 DAYS 4 PERIOD PROGRAMMABLE SELECT

With the thermostat turned on, press "M" button for 3 seconds. You can select the following settings:

- 01 = Override.
- 02 = Daily on/off. The "🕒" icon will be displayed.
- 03 = Programmable. The "🔄" icon will be displayed.

SETTING THE CLOCK

- Press "🕒" once, the hour will flash.
- Use the Up/Down key to select the hours.
- Press "🕒" again, minute will flash.
- Use the Up/Down key to select the minutes.
- Press "🕒" button, until day flashes.
- Use the Up/Down key to select the day of the week.

24 HOUR OVERRIDE

This mode allows one on/off time to be set.

When selecting the Timer On/Off function and the display shows "🕒", you can set "TIMER ON" / "TIMER OFF".

Please note:

If the thermostat shows "E1/E2", which is an error message, it means the sensor cable is either defective or not connected. Please check for loose connection.

- Press "🕒" four times until "TIMER ON" appears on the screen and "hh" flashes,
- Press "▲" or "▼" to adjust the hour,

24 HOUR OVERRIDE (cont.)

- Press "🕒" and "mm" will flash, press "▲" or "▼" to adjust minutes.
- Press "🕒" until "TIMER OFF" appears on the screen and "hh" flashes,
- Press "▲" or "▼" to adjust the hour,
- Press "🕒" and "mm" will flash, press "▲" or "▼" to adjust minutes.

The thermostat will automatically reset itself after 24 hours.

To disable this function there are 2 ways:

- 1> Select to "Override" or "Programmable" mode.
- 2> Set the TIME ON/OFF to "00:00".

5+2 DAYS 4 PERIOD PROGRAMMABLE SETTING

When selecting the Programmable function the "🔄" icon will be displayed.

- Press "🕒" for 3 seconds, the number 1 and "Mo Tu We Th Fr" are displayed. This indicates that you are able to programme period 1 temperature for week-days.
- Use Up/Down key to set the required start time.
- Press "🕒" to accept this setting.
- Use the Up/Down key to set the required temp.
- Press "🕒" to accept this setting.
- Repeat period 2-4 for week-days.
- After you have programmed period 1-4 for the weekday, you are now able to programme period 1 temperature for weekend. Number 1 and "Sa Su" will be displayed.
- Use Up/Down key to set the required start time.
- Press "🕒" to accept this setting.
- Use the Up/Down key to set the required temp.
- Repeat period 2-4 for the week-end.

The settings will be finished after the TIME OFF. The settings are only valid for one day.

To disable the function: Select to "Override" or "Daily On/Off" mode.

In programmable mode four independent time zones can be set for weekdays and four for weekend days. In each of these time zones you can set an independent temperature.

Two possible ways which you may wish to programme are:

Time zone	ONE (Wake-up)	TWO (Leave home)	THREE (Back home)	FOUR (Night)
Start Time	6: 00	8: 00	16: 00	23: 00
SET TEMP.	25	10	20	15

Time zone	ONE (Wake-up)	TWO (Leave home)	THREE (Back home)	FOUR (Night)
Start Time	6: 00	8: 00	16: 00	23: 00
SET TEMP.	20	5	20	5

Note: The thermostat needs to be on for the programme functions to work.

SETTING THE MAXIMUM FLOOR TEMPERATURE

- With the thermostat turned off.
- Press "M" for 5 seconds and until the display shows "❄️", now release the "M" button, the display will show "❄️" and "SET".
- You are now prompted to enter the maximum floor limit.
- Range = 20~90°C. For wood/laminate floors we recommend a maximum temperature of 27°C. Check with the flooring manufacturer for compatibility with underfloor heating.

READING THE FLOOR TEMPERATURE

- With the thermostat turned on.
- Press "M" once, the "🌀" will flash, then the display shows the floor temperature.